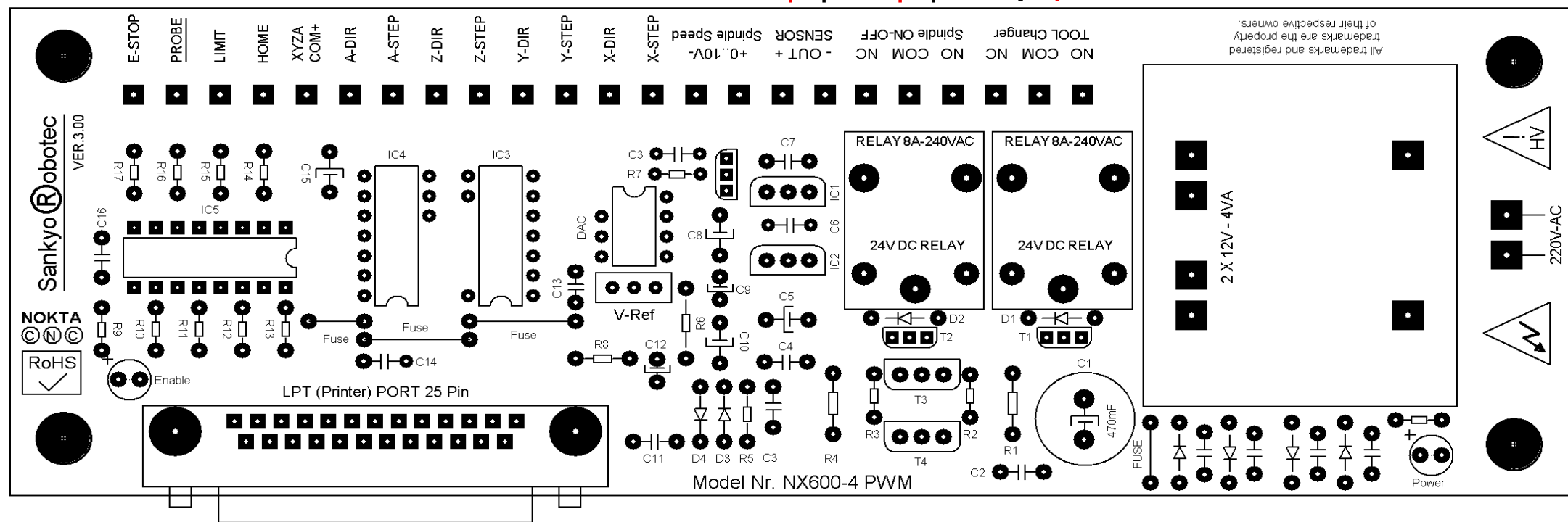


Technical Specification:

- High Speed Switching Time / Sec. 600 KHz.
- 8 High Speed STEP/DIR Output
- Spindle Rotation Forward-Reverse Control
- Spindle Speed Reference 0-10V Output
- 4 Inputs (X,Y,Z,A (Home-Limit), Emergency)
- Optokoupler Izolated Inputs & Outputs
- Coolant Pump & Water Pump SSR Outputs
- Auto Tool Zero 0.00002 micrometers
- ATC (Auto Tool Changer) Control Output
- Internal 220V AC-50Hz. Power Supply



25 Pin LPT Interface PC Cable

**SERVO MOTOR - STEPPER MOTOR
4 AXIS PC CNC INTERFACE UNIT
Model Nr. *NX600-4 PWM 220V***
(All inputs and Outputs are Optokouplers Isolated)

220V AC Power